

# Hydro-PEX Systems Complete Manifold Set

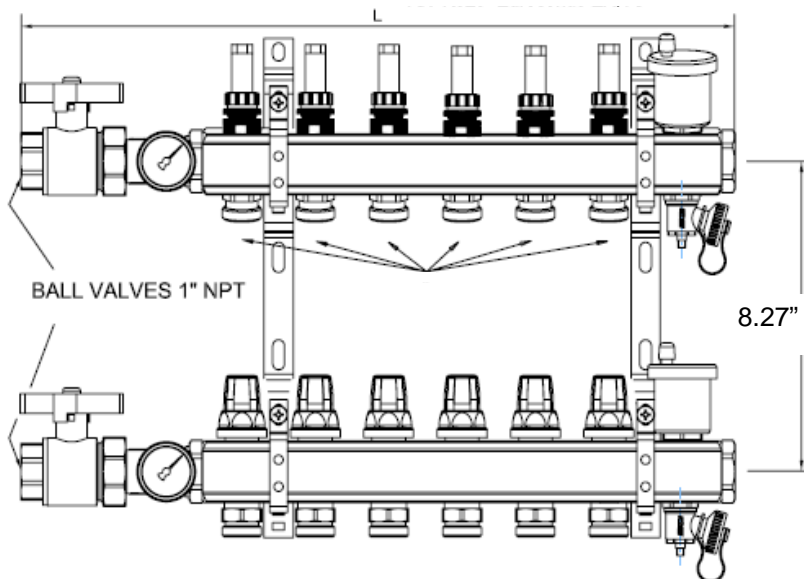


## Hydro-PEX Complete Manifold Set:

Chrome plated complete manifold set includes 0-2 GPM flow meters, two each 1" NPT ball valves with union connections, supply and return thermometers, supply and return automatic air vents, supply and return drain cocks and mounting brackets with anti-vibration support. Also included as standard trim are manual balancing valves with integral memory.

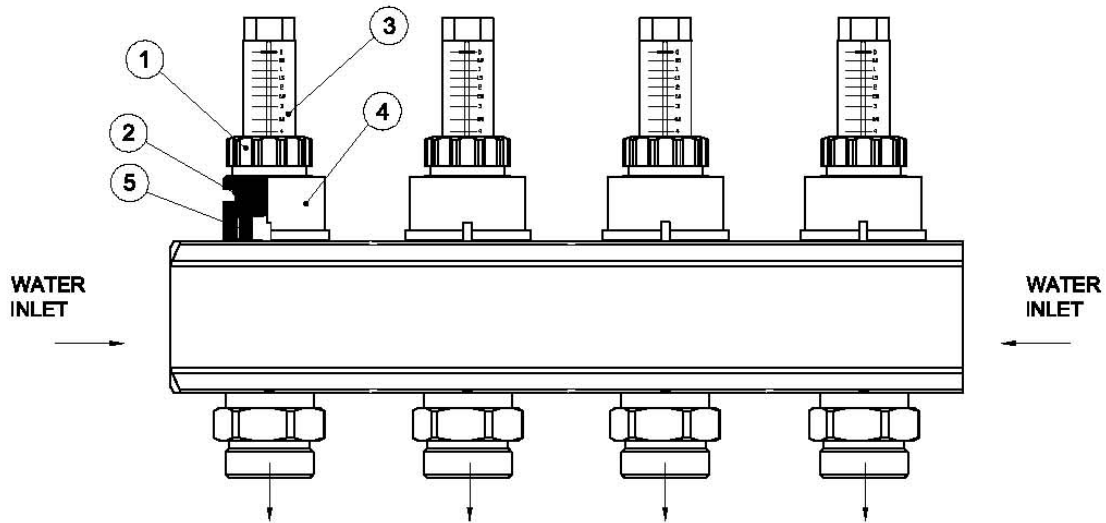
Option 1: Add thermostatic valves to manual balancing valves (4-wire Actuator w/ end switch, part no. PTF-MACT)

Option 2: Replace 1" NPT ball valve with 1" 90° angle ball valve. (Replace SBV suffix with ABV suffix when ordering manifold.)



Part No.	Outlets	L
PTF-MCSET20-SBV	2	7.64"
PTF-MCSET30-SBV	3	9.61"
PTF-MCSET40-SBV	4	11.57"
PTF-MCSET50-SBV	5	13.54"
PTF-MCSET60-SBV	6	15.51"
PTF-MCSET70-SBV	7	17.48"
PTF-MCSET80-SBV	8	19.49"

## Hydro-PEX MEMORY Flow Meter



### USE

Hydro-PEX is proud to present you the MEMORY flow meter. The MEMORY flow meter allows a perfect calibration of the water flow passing inside one under floor circuit and improves the quality of your installation, because of its high precision, even at the lowest flows.

### OPERATING INSTRUCTION

The MEMORY flow meter allows to memorize the setting and to open and close the flow without losing the setting. Follow the steps listed below for setting the flow meter:

- A) Open completely the MEMORY flow meter turning the ring number 1 counter-clockwise. A complete opening is necessary for the precise setting.
- B) Lift up the ring number 4. Now you are ready to set the flow meter.
- C) Turn the ring number 2 clockwise till you reach the desired flow, which can be read on scale number 3.
- D) Replace ring number 4 over ring number 5 to lock the setting in place. The MEMORY flow meter is on able to open and close maintaining the desired setting. Note: in order to set a different setting you must follow the steps above, fully opening the flow meter by turning ring number 1 counter-clockwise.
- E) If the flow meter scale becomes difficult to read, you can clean the glass (number 3). Close ring number 1 by turning clockwise, you can now un-screw the glass cover and clean it. During this cleaning operation, do not touch the spring and spindle or water loss may pursue.

